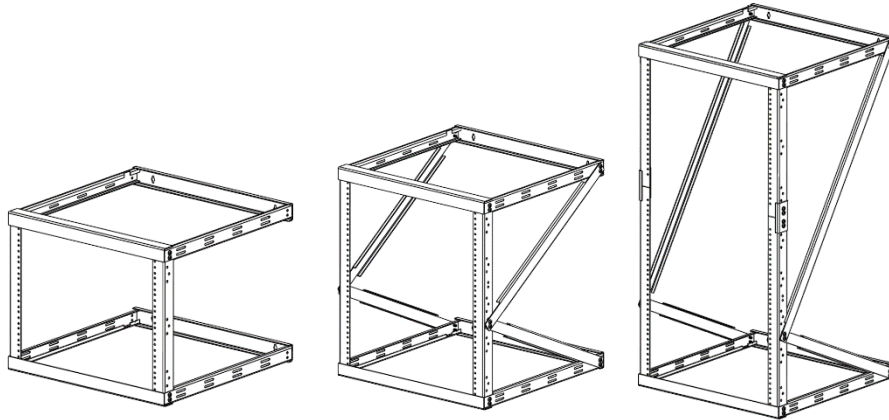


# OWNER'S MANUAL: Open Frame Wall Mount Rack

Applied to Model Series: SRW08, SRW12, SRW22



## CAUTION

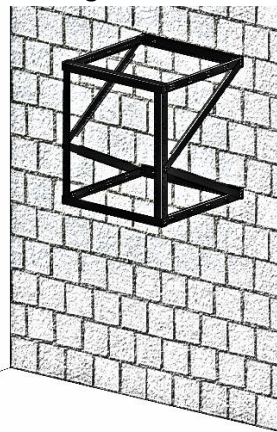
### Tip:

- This manual contains instructions and warnings that must be followed during the installation and operation of the product. Failure to comply may invalidate the warranty and cause property damage or personal injury.
- Do not use this product for any purpose not explicitly specified here. Manufacturer is not responsible for damage or injury caused by incorrect assembly or use.
- Install the rack in a structurally sound area capable of handling the load. For permanent wall mounting, be sure to securely fasten the rack to the building structure before operation.
- If you do not understand these instructions or have doubts about the safety of the installation, please contact Customer Service.

## WALL MOUNTED INSTALLS

### Tip:

- Do not attempt to mount to the wall when equipment is already mounted in the rack.
- Make sure the wall surface can hold both the weight of the rack and mounted equipment. Make sure weight is evenly distributed.
- Static load capacity of 200 lbs (90 kg) for wall mounting.



**200 lbs  
(90 Kg)**

## TECHNICAL SUPPORT

Our technical support is an integral part of our commitment to provide industry-leading solutions. If you ever need help with our product, visit [www.aeonstech.com](http://www.aeonstech.com) and submit your Technical Support Request online, or contact us:

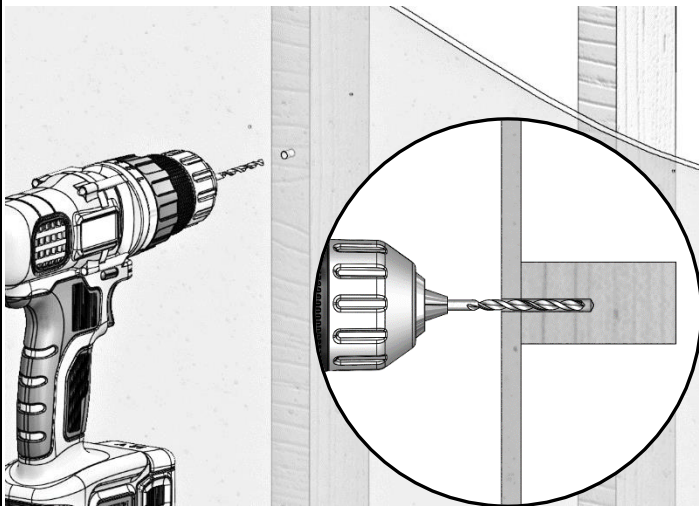
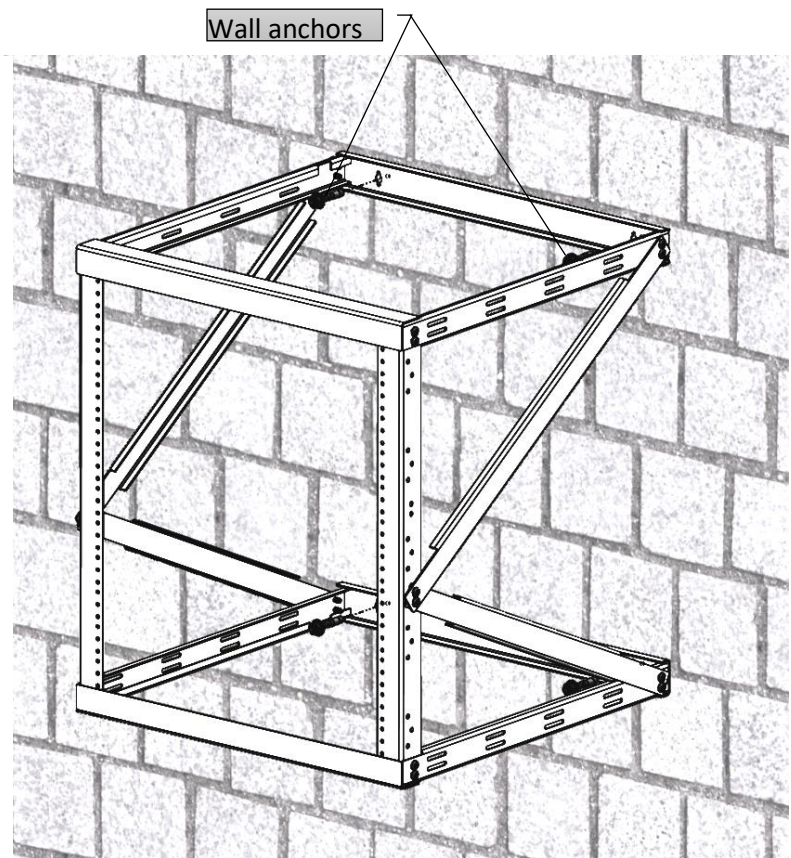
## APPLICATIONS

### WALL MOUNT INSTALLATION

**TIP:** Wall-mount installation for easy access/servicing, flexible cable management and unobstructed airflow. Equipment installation hardware included.

**WARNING:** Do not attempt to mount to wall when equipment is already mounted inside the rack.

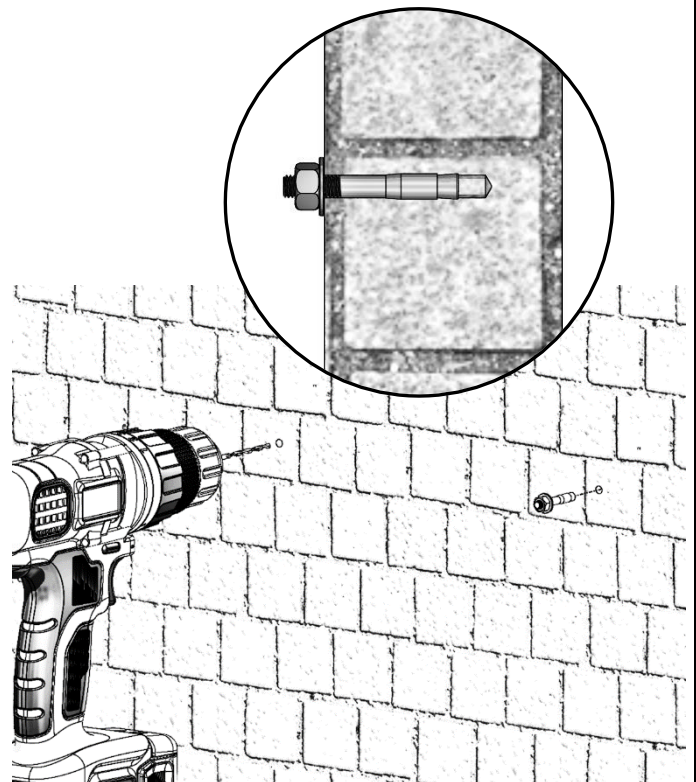
Make sure the weight of the load is evenly distributed. Best to place heavier item toward the bottom of rack.



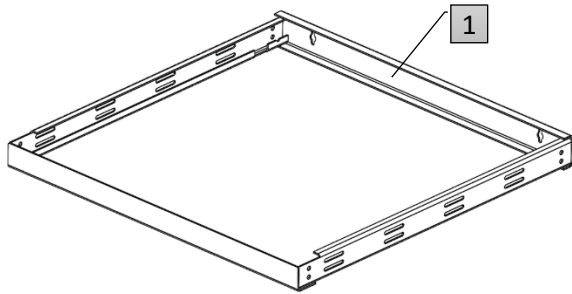
**CAUTION:** Assure the wall can support the weight of the rack and equipment combined.

Concrete/Brick wall and Wood Studs are perfect for wall-mount installs. **DO NOT install into drywall alone.**

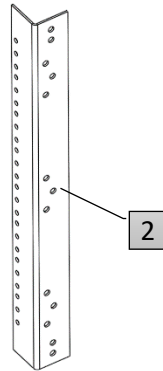
The included Anchors are intended for use on a concrete wall.



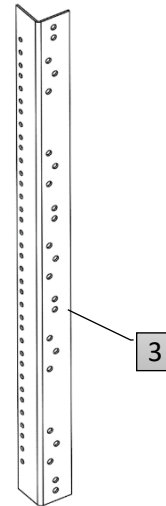
**PART LIST**



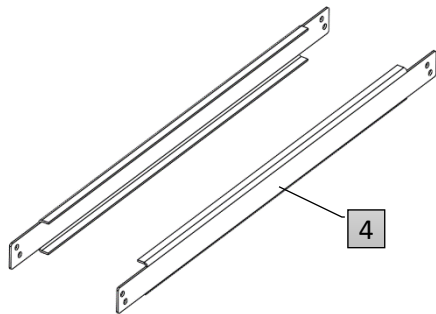
**Top/Bottom Frame  
x 2**



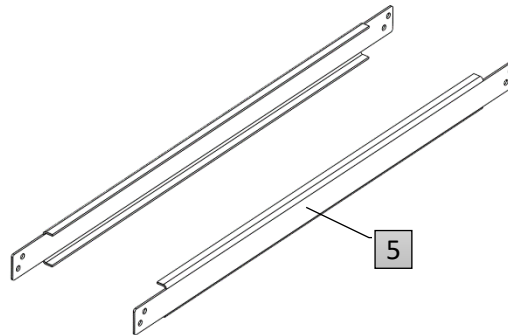
**8U Vertical Rail  
x 1 set (for SWR08)**



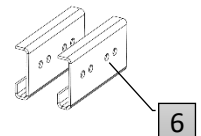
**12U Vertical Rail  
x 1 set (for SWR12 and SWR22)**



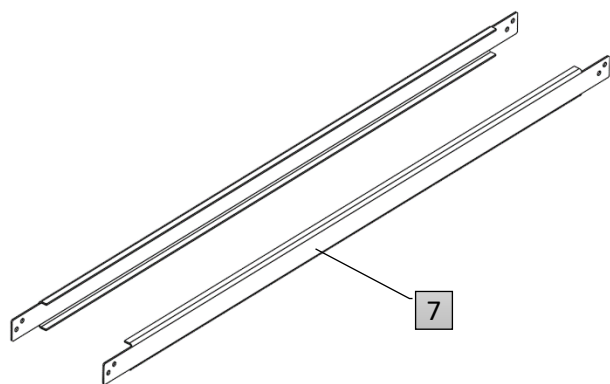
**Left/Right Medium Support Truss  
x 1 set (for SWR12 only)**



**Left/Right Medium Support Truss  
x 1 set (for SWR12 only)**



**Vertical Rail Tie Plates  
x 1 set (for SWR22 only)**

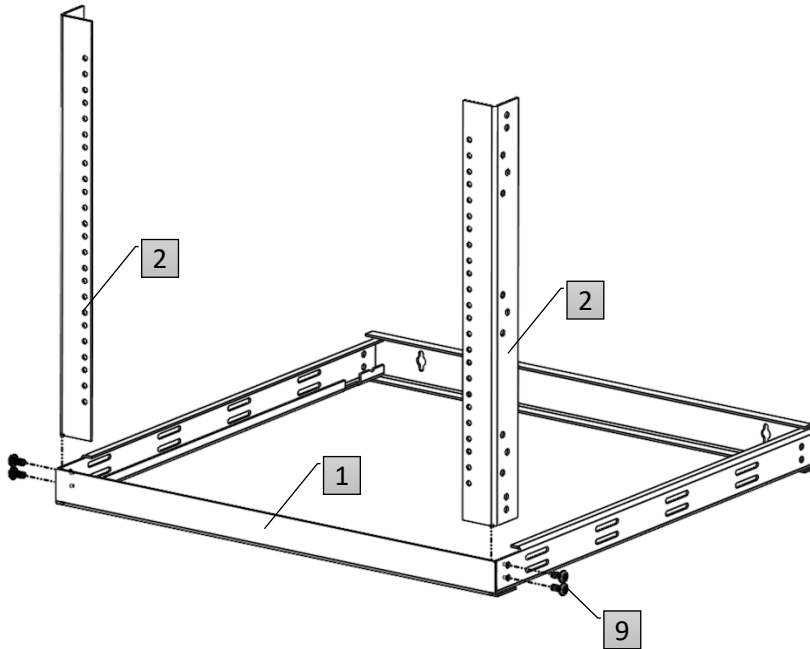


**Left/Right Long Support Truss  
x 1 set (for SWR22 only)**

<p><b>Concrete Anchor x 4</b></p>	<p><b>M5 x 10mm Screw X 8 (8U) X 20 (12U) X 32 (20U)</b></p>
<p><b>Hex Wrench x 1</b></p>	<p><b>#12-24 x ¾ Screw x 12</b></p> <p><b>Zip Ties x 8</b></p>

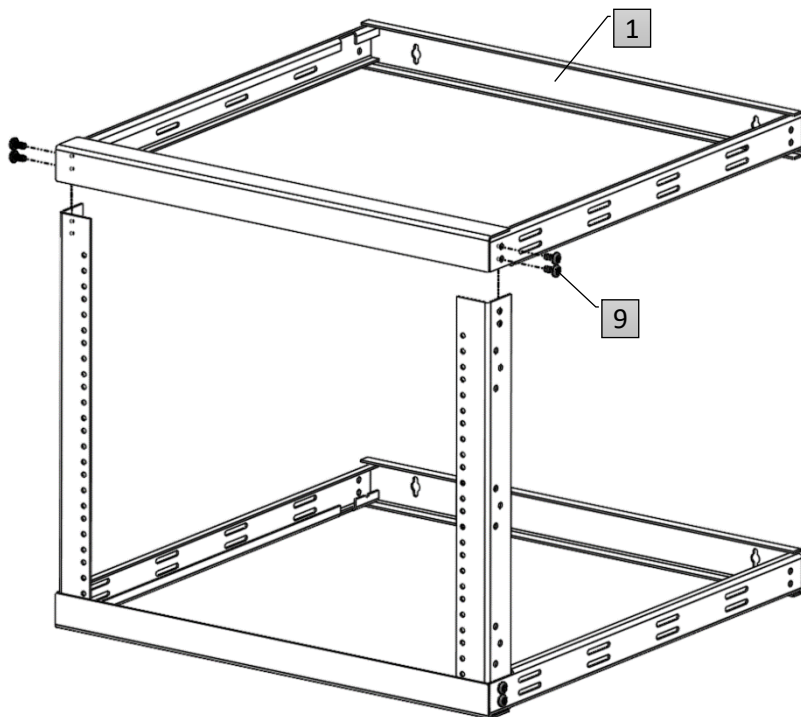
## 8U Configuration

### Secure with M5 Screws



STEP 1: Insert one end of the Vertical Rail (2) into the corner of Bottom Frame (1), and secure with M5 screws (9)

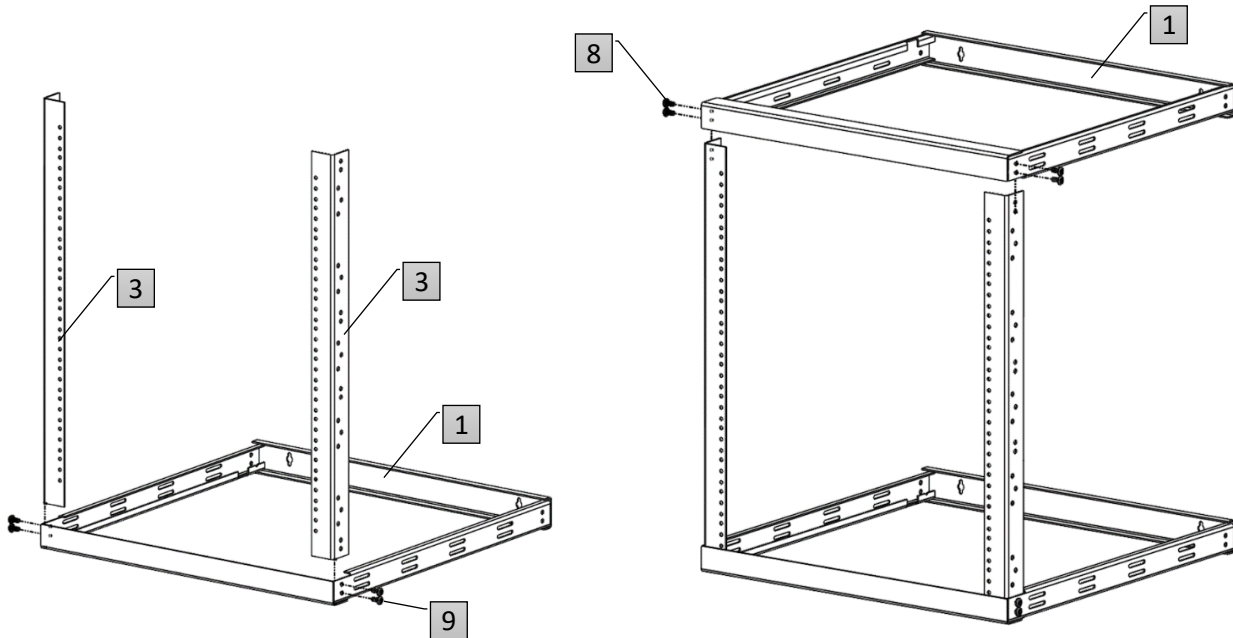
Note: Align the front of Vertical Rails (2) with the front of Bottom Frame (1): the front side is without wall-mounting holes.



STEP 2: Install the Top Frame (1) onto the Vertical Rails (2), and secure with M5 screws (9).

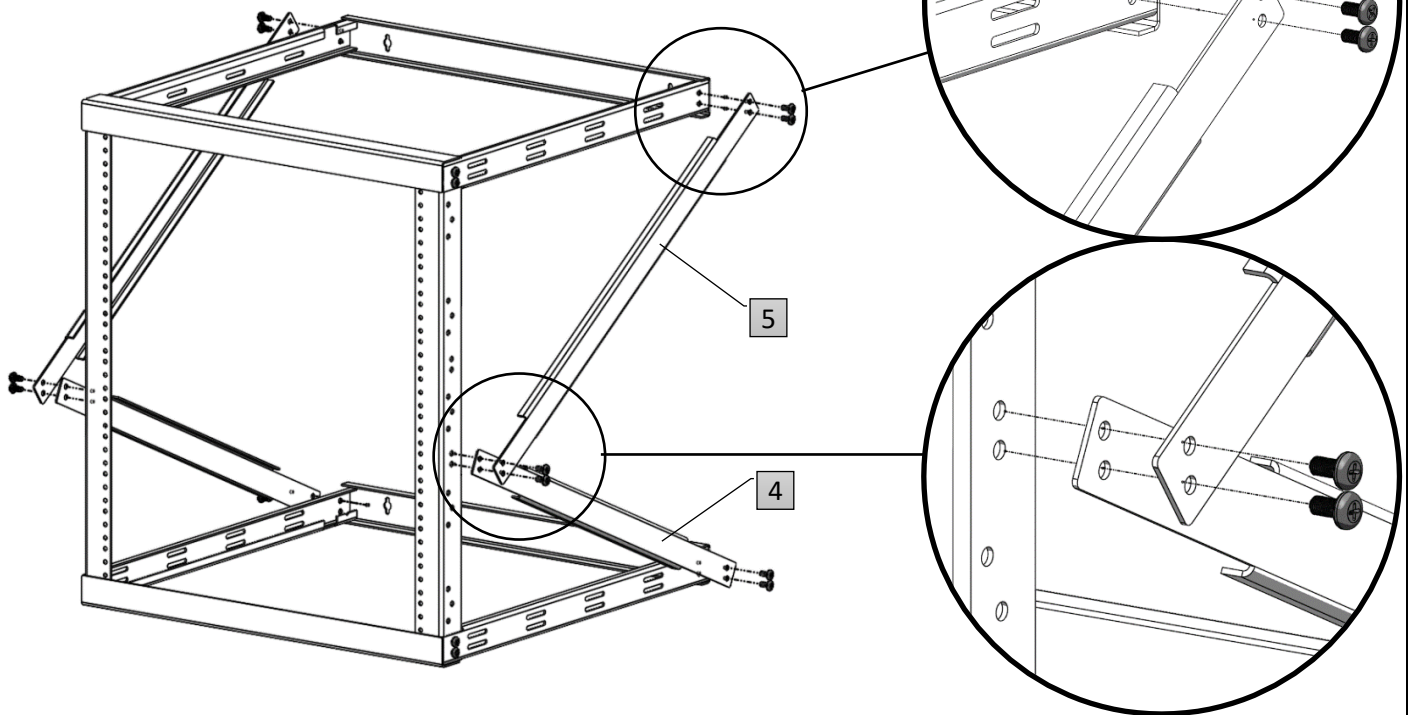
## 12U Configuration

### Secure with M5 Screws



STEP 1: Insert one end of the Vertical Rail (3) into the corner of Bottom Frame (1), and secure with M5 screws (9).

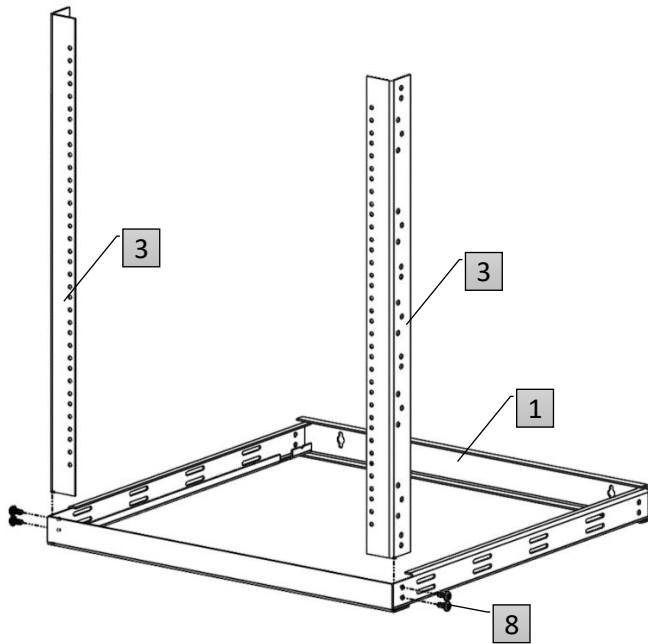
STEP 2: Install the Top Frame (1) onto the Vertical Rails (3), and secure with M5 screws (9).



STEP 3: Attach the right and left Support Truss (4 & 5) to the frames (1) and Vertical Rails (3) by securing them with M5 screws

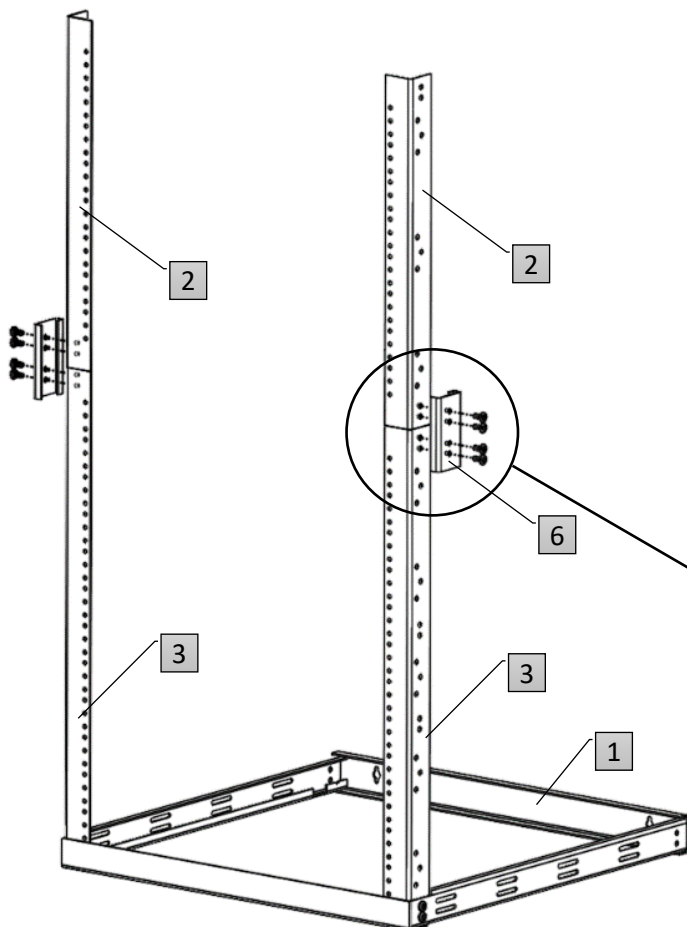
## 22U Configuration

### Secure with M5 Screws



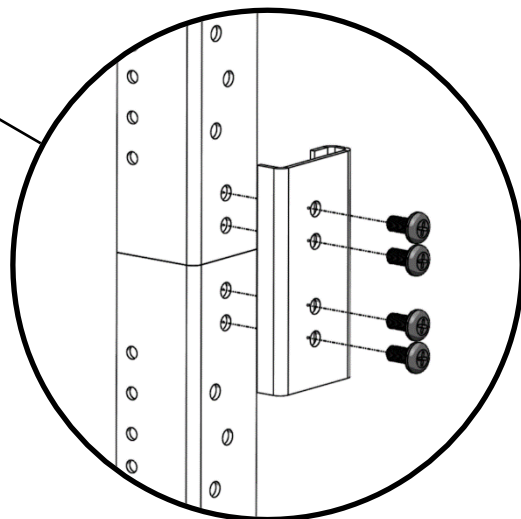
STEP 1: Insert one end of the Vertical Rail (3) into the corner of Bottom Frame (1), and secure with M5 screws (9)

Note: Align the front of Vertical Rails (3) with the front of Bottom Frame (1): the front side is without wall-mounting holes.



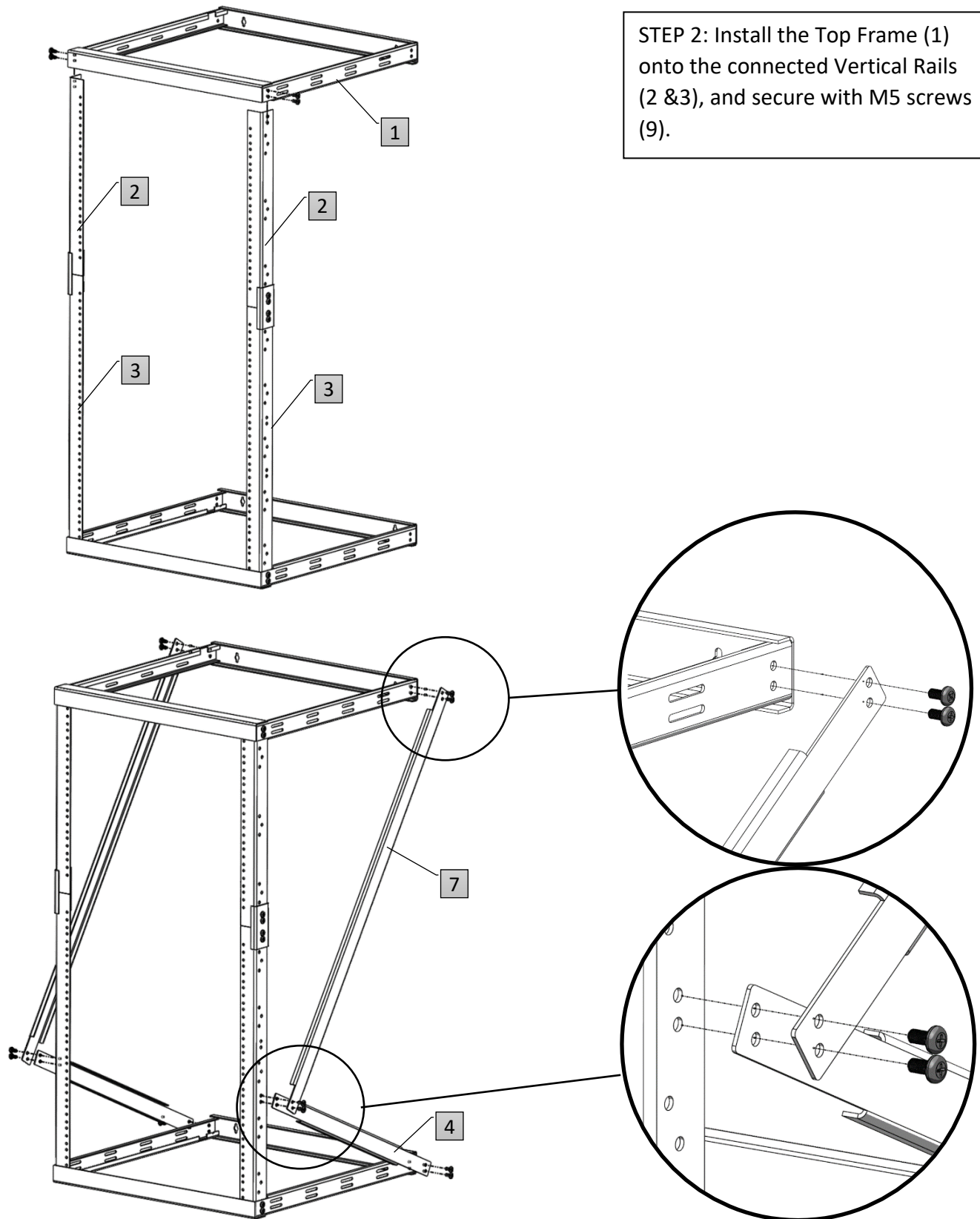
STEP 2: Connect the 8U Vertical Rail (2) to the 12U Vertical Rail (3) using Rail Tie Plate (6), and secure with M5 screws (9)

Note: Align the front of Vertical Rails (2) with the front of Bottom Frame (1): the front side is without wall-mounting holes.



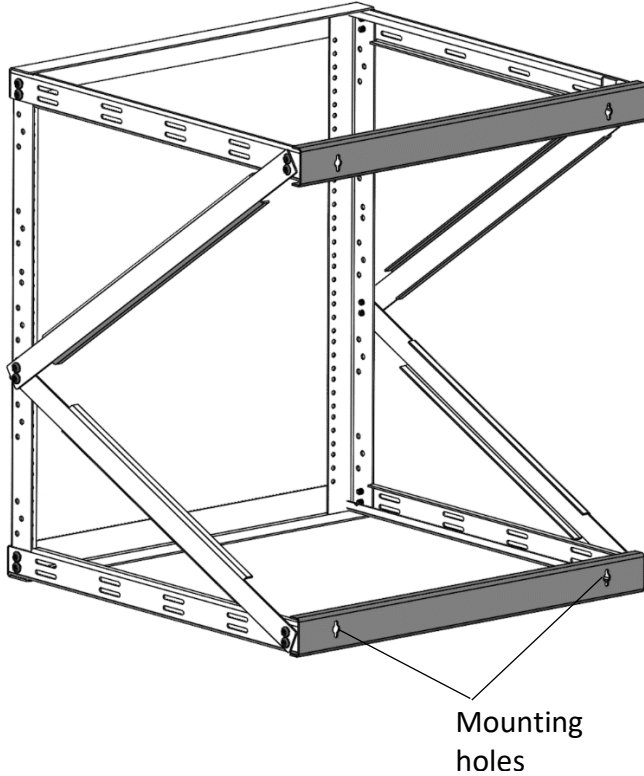
## 22U Configuration

Secure with M5 Screws

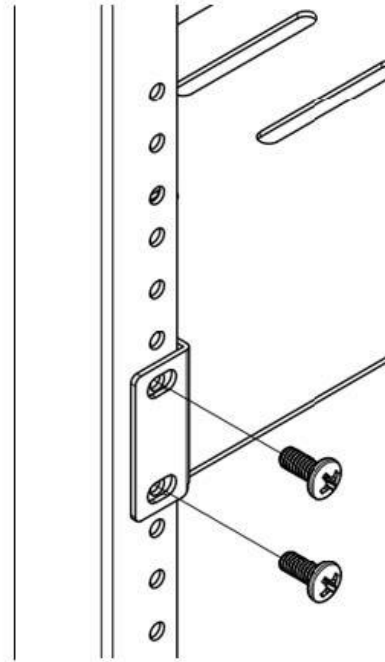


**Mount the rack to the wall**  
**Use anchors and mounting holes**

Attach the rack to a wall or other suitable mounting surface using appropriate anchors. The included Anchors (8) are intended for use on a concrete wall. The mounting holes are spaced 17" (406.4mm) and 12" (304.8mm).



**STEP 7: Equipment Installation**  
**Use #12-24 screws**



Use the included 12-24 mounting screws (10) to secure equipment to the Vertical Mounting Rails of the rack.  
Use the included zip tie (12) and slots/holes on the frame to secure and organize cables and wires.

**TECHNICAL SUPPORT**

Our technical support is an integral part of our commitment to provide industry-leading solutions. If you ever need help with our product, visit [www.aeonstech.com](http://www.aeonstech.com) and submit your Technical Support Request online, or contact us:

**LIMITATIONS OF LIABILITY**

Different wall materials require different type of anchoring devices. Please contact a specialist for advice on suitable anchoring systems. Aeonstech is not liable for errors contained herein or for incidental or consequential damages in connection with the furnishing, performance, or use of this material.

Aeonstech assumes no responsibility for the use, application, or reliability of the software or hardware that you install into the product.

It is highly recommended that installation of this product be performed by a qualified and experienced installer. Improper installation of this product could result in damage to the product, other equipment, or personal injury.

Aeonstech cannot be held responsible for damage to equipment or personal injury resulting from improper use, installation or the misuse of information presented in this document.